



Bright Star Lighting Co.,Ltd

MSD-DALI-CC-320W series

DALI Constant Current Waterproof LED Driver



Features特征:

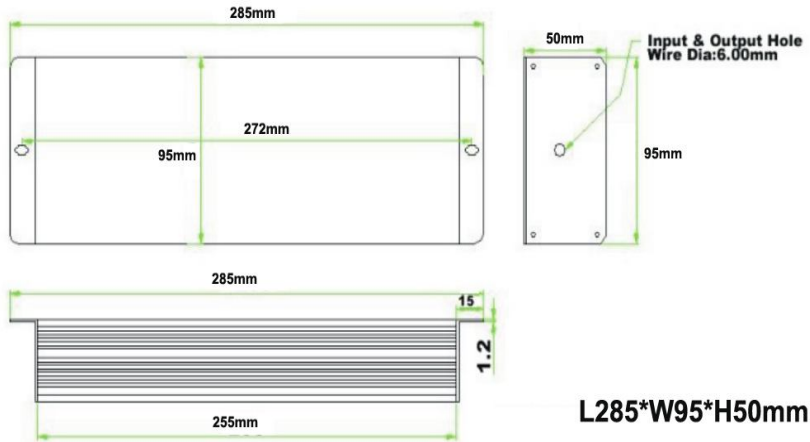
- The output current is constant.输出模式: 恒流
- Input voltage:100-277VAC.输入电压: 100-277VAC
- Using active built-in PFC techology.采用PFC技术
- Efficiency>90% PF>0.95.效率>90%功率因素PF>0.95
- Protection:SCP/OVP/OCP;短路保护 过压保护 过流保
- Aluminum case waterproof design.防水铝外壳设计
- Fit for KNX/Tridonic/Siemens/Philips/Feelux system;兼容KNX/ABB/Tridonic/Siemens/Philips/Feelux系统;
- DALI IEC62386 design,compatible with DALI V1&V2;IEC62386国际通用标准设计, 兼容DALI V1和V2通信标准;
- CE/ROHS/SAA/TUV passed.CE/ROHS/SAA/TUV认证
- 5 Years warranty,lifespan>50,000hrs.5年保,寿命>5小时。

规格书Specification Sheet

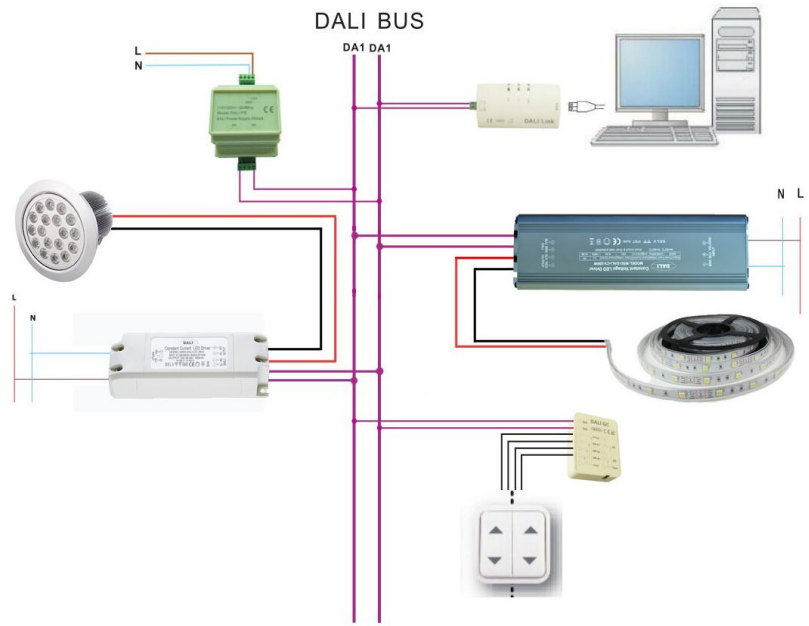
名称Model	恒流源CC	MSD-DALI-CC-320W	
输出 Output	输出电压 Output Voltage	40-54V	30-42V
	恒流精度 Current Precision	±0.5%	
	输出电流 Output Current	6A	7.5A
	输出功率 Output Power	350W(Max)	
	线性调整率Line Regulation	1%	
输入 Input	输入电压 Input Voltage Range	100-277V/AC(standard) 85VAC(min)305V/AC(max)	
	输入电流 AC Current(Typ)	3.6A@100VAC 3.2A@110VAC 1.5A@230VAC 1.3A@264VAC	
	频率 Frequency Range	50/60Hz	
	功率因数 PFC(Typ)	>0.95@full load	
	效率 Full-loading Efficiency	>90%@full load	
异常保护 Protection	保护类型 Short Circuit	Short circuit protection / Over voltage protection	
	最大输入电压Over Voltage	<305VAC	
使用环境 Environment	工作温度Operation Temperature	-40~+60℃	
	工作湿度Operation Humidity	20~90%	
	存储 Storage	-40~ +85℃, 10~95%RH	
	温度系数Temperature Coefficient	±0.03%/℃(-45~50℃)	
	抗震能力Vibration Resistance	10~500HZ,2G 10Min/period,X、Y、Z line per 60 mins	
安规与电磁兼容 Safety&EMC	标准 Standard	Refer to EN 61347-1;EN 61347-2-13; EN 62493	
	耐压 Withstand Voltage	I/P-O/P:3.75KVAC	
	绝缘强度Insulating Strength	I/P-O/P:400M Ω/500 VDC/25℃/70%RH	
	传导 EMC Emission	To Correspond EN55015,EN61000-3-2(≧50% load)	
	辐射 EMC Immunity	To Correspond EN55015,EX61000-4-2,3,4,5,6,8,11,A Level of light industry standard(Surge 4KV)	
其他Other	重量Weight	2300g	
	尺寸Dimension	285*85*50mm (L*W*H)	
	PCB材质	94V-0 PC fire retardant	
	颜色Color	Dark Grey	
	包装Packing	44*28*18cm/6pcs	
NOTE	<p>All parameters are measured at normal temperture(25-28℃)</p> <p>1、Ripple &amp; Noise are measured at 20KHz of bandwidth by using a 12" twisted pair-wire teminated with a 0.1 uf &amp; 47uf parallel capacitor(@ full load).</p> <p>2、The efficiency measured at Max output voltage,and 230VAC with full load,if with 110VAC the efficiency will be lowered 0.5%~1.5%;Working 1~2 hours,efficiency will be higher 1.5%~1%than the initial stage.</p>		

DALI Constant Current Waterproof LED Driver

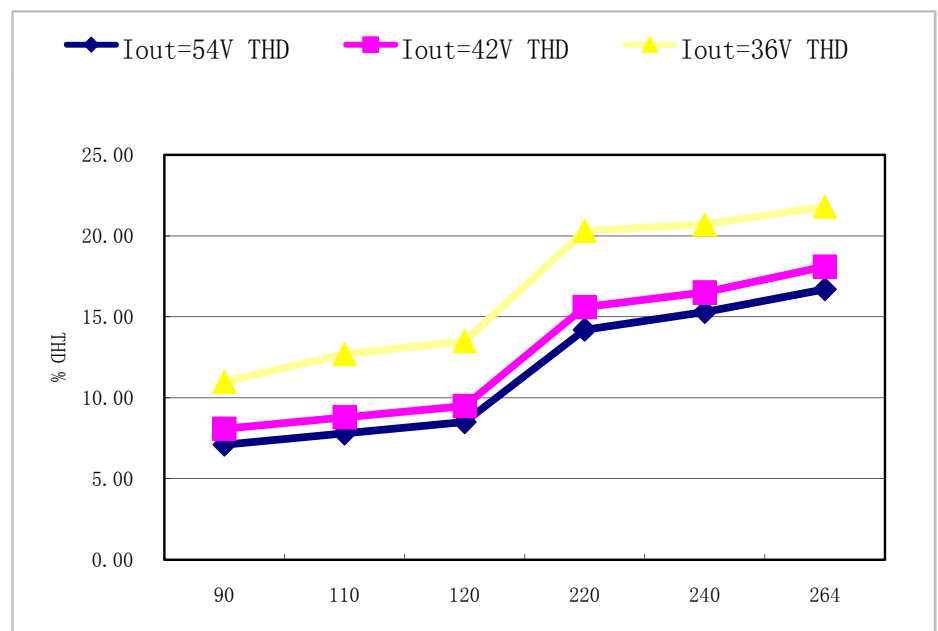
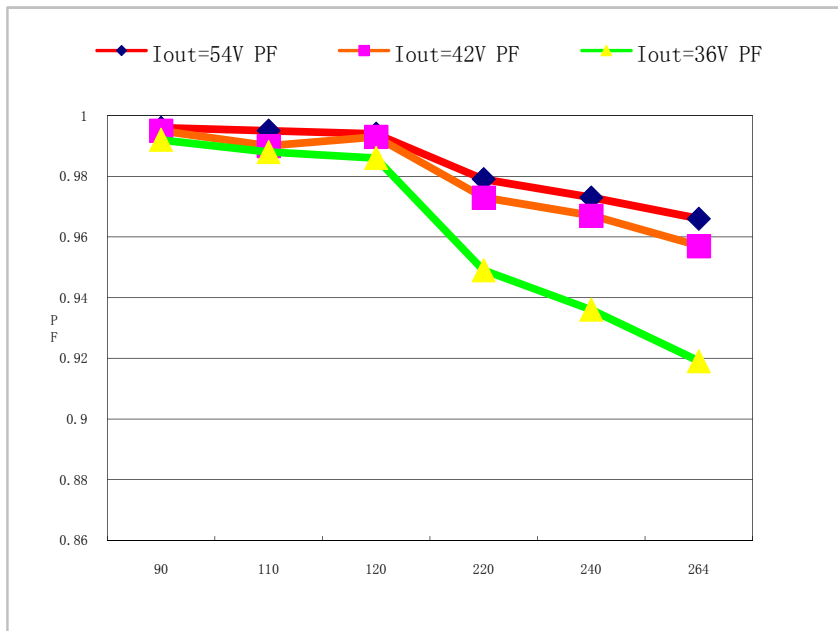
1.Mechanical Specification



2.DALI dimming system



3.Power Factor & THD Characteristics



4.Efficiency & Load of (110VAC / 230VAC)

