

Constant voltage 0-10V dimmable LED driver



Features特征:

- The output voltage is constant;输出模式: 恒压;
- 0/1-10V/PWM/resistor compatible;0/1-10V/PWM/电阻兼容;
- Using active built-in PFC technology;采用PFC技术;
- Efficiency>86% PF>0.95;效率>90%功率因素PF>0.98;
- Protection:SCP/OVP;短路保护 过压保护;
- Aluminum silicone gel potted waterproof IP67 protection;铝外壳硅胶防水IP67等级;
- Easy to install;容易安装;
- Noise free, flicker free;无噪音, 无频闪;
- CE/ROHS/SAA/TUV passed;CE/ROHS/SAA/TUV认证;
- 5 Years warranty.5年质保。

规格书Specification Sheet

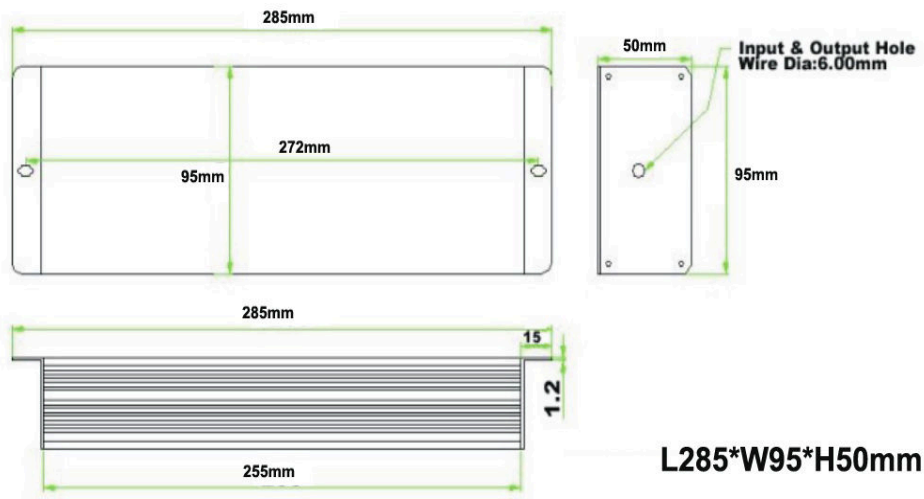
名称Model	CV输出	参数Parameter		
输出 Output	输出电流 Output current	12.5A	8.33A	6.25A
	恒压精度 Current precision	±5%		
	输出电压 Output voltage	24V	36V	48V
	输出功率 Output Power	300W		
输入 Input	输入电压 Input Voltage Range	90-265V/AC(standard) 85VAC(min)305V/AC(max)		
	输入电流 AC Current(Typ)	0.71A@100VAC 0.62A@110VAC 0.32A@220VAC 0.26A@264VAC		
	频率 Frequency Range	50/60Hz		
	功率因数	PF>0.95@230V		
	效率 Full-loading Efficiency	>88%		
异常保护 Protection	保护类型 Short Circuit	Short circuit protection / Over voltage protection		
	最大输入电压 Over Voltage	<305VAC		
使用环境 Environment	工作温度 Operation Temperature	-20—+60℃		
	工作湿度 Operation Humidity	20-90%		
	存储 Storage	-40—+85℃, 10-95%RH		
	温度系数 Temperature Coefficient	±0.03%/℃ (0~50℃)		
	抗震能力 Vibration Resistance	10~500HZ,2G 10Min/period,X、Y、Z line per 60 mins		
安规与电磁兼容 Safety&EMC	标准 Standard	Refer to EN 61347-1;EN 61347-2-13; EN 62493		
	耐压 Withstand Voltage	I/P-O/P:3.75KVAC		
	绝缘强度 Insulating Strength	I/P-O/P:400M Ω/500 VDC/25℃/70%RH		
	传导 EMC Emission	To Correspond EN55015,EN61000-3-2(≧50% load)		
	辐射 EMC Immunity	To Correspond EN55015,EX61000-4-2,3,4,5,6,8,11,A Level of light industry standard(Surge 4KV)		
其他Other	重量 Weight	2500g		
	尺寸 Dimension	285*95*50mm (L*W*H)		
	材质 Material	94V-0 PC fire retardant		
	颜色 Color	white		
	包装 Packing	44.5*28.5*17cm/10pcs		

NOTE

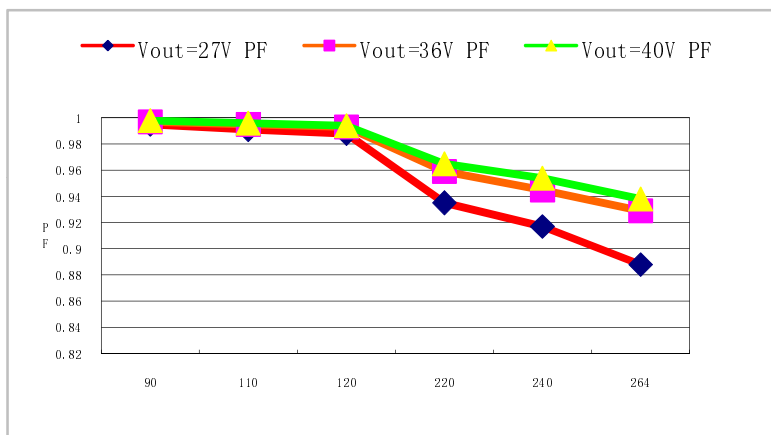
All parameters are measured at normal temperature(25-28℃)
 1、Ripple & Noise are measured at 20KHz of bandwidth by using a 12" twisted pair-wire terminated with a 0.1 uf & 47uf parallel capacitor(@ full load).
 2、The efficiency measured at Max output voltage,and 230VAC with full load,if with 110VAC the efficiency will be lowered 0.5%~1.5%;Working 1~2 hours,efficiency will be higher 1.5%~1%than the initial stage.

Constant voltage 0-10V dimmable LED driver

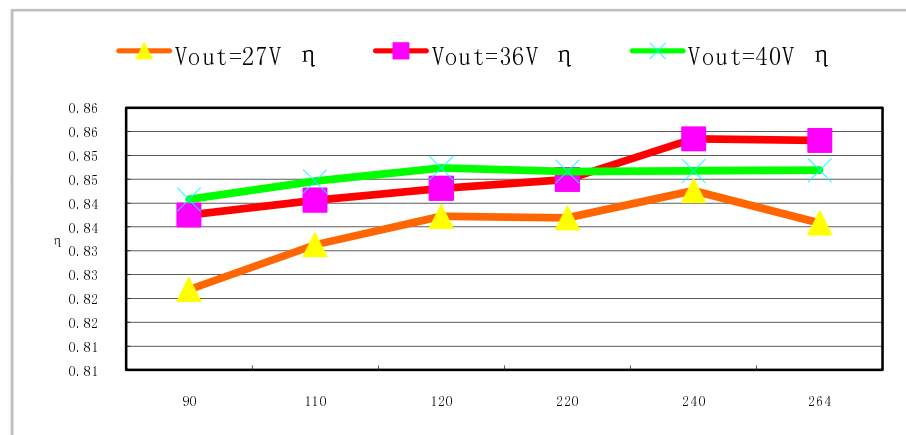
1.Mechanical Specification



2.Power Factor Characteristics



3.Efficiency & Load of (110VAC / 230VAC)



4.0/1-10V dimming Diagram

