

Waterproof Constant current 0-10V dimmable LED driver



Features特征:

- The output current is constant;输出模式: 恒流;
- 0/1-10V/PWM/potentiometer(3 in 1 dimming); 0/1-10V/PWM/电位器三合一调光。
- Using active built-in PFC technology;采用PFC技术;
- Efficiency>90% PF>0.95;效率>90%功率因素PF>0.95;
- Protection:SCP/OVP;短路保护 过压保护;
- Aluminum case waterproof IP67.防水铝外壳IP67等级
- Easy to install;容易安装;
- Noise free,flicker free by eyes or cameras;无噪音, 无频闪
- CE/ROHS/SAA/TUV passed;CE/ROHS/SAA/TUV认证;
- Hipot \geq 3750V, Surge:L-N \geq 1000V 过高压3750V测试, 浪涌 \geq 1000V
- 5 Years warranty.5年质保。

规格书Specification Sheet

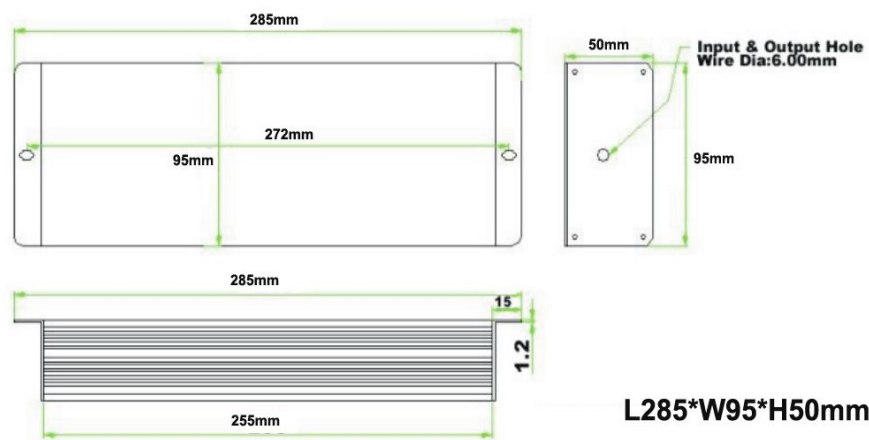
名称Model	CC输出	MSD-0/10V-DIM-CC-300W		
输出 Output	输出电流 Output current	6000mA/DC	6000mA/DC	7100mA/DC
	恒流精度 Current precision	±5%		
	输出电压 Output voltage	40-48V/DC	40-50V/DC	27-42V/DC
	输出功率 Output Power	300W	300W	300W
输入 Input	输入电压 Input Voltage Range	180-265V/AC(standard) 90VAC(min)305V/AC(max)		
	输入电流 AC Current(Typ)	2.77A@100VAC 2.51A@110VAC 1.25A@220VAC 1.03A@264VAC		
	频率 Frequency Range	50/60Hz		
	功率因数	PF>0.95@230V		
	效率 Full-loading Efficiency	>90%@full load		
异常保护 Protection	保护类型 Short Circuit	Short circuit protection / Over voltage protection		
	最大输入电压Over Voltage	<305VAC		
使用环境 Environment	工作温度Operation Temperature	-40—+50℃		
	工作湿度Operation Humidity	20-90%		
	存储 Storage	-40—+85℃, 10-95%RH		
	温度系数Temperature Coefficient	±0.03%/℃(0~50℃)		
	抗震能力Vibration Resistance	10~500HZ,2G 10Min/period,X、Y、Z line per 60 mins		
安规与电磁兼容 Safety&EMC	标准 Standard	Refer to EN 61347-1;EN 61347-2-13; EN 62493		
	耐压 Withstand Voltage	I/P-O/P:3.75KVAC		
	绝缘强度Insulating Strength	I/P-O/P:400M Ω/500 VDC/25℃/70%RH		
	传导 EMC Emission	To Correspond EN55015,EN61000-3-2(\geq 50% load)		
	辐射 EMC Immunity	To Correspond EN55015,EX61000-4-2,3,4,5,6,8,11,A Level of light industry standard(Surge 4KV)		
其他Other	重量Weight	2500g		
	尺寸Dimension	285*95*50mm (L*W*H)		
	材质Material	94V-0 PC fire retardant		
	颜色Color	white		
	包装Packing	31*17*18cm/10pcs		

NOTE

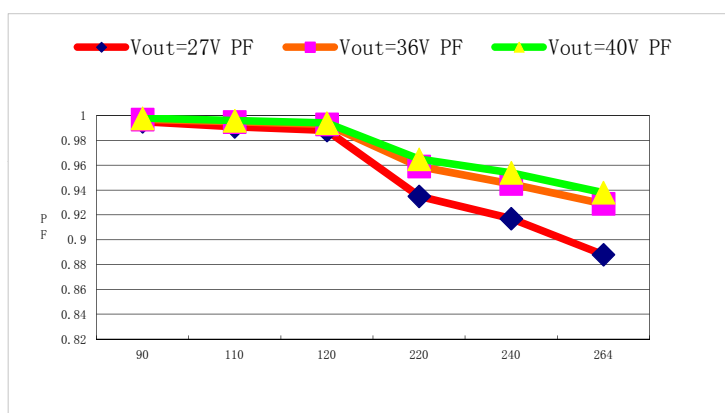
All parameters are measured at normal temperture(25-28℃)
 1、Ripple & Noise are measured at 20KHz of bandwidth by using a 12" twisted pair-wire terminated with a 0.1 uf & 47uf parallel capacitor(@ full load).
 2、The efficiency measured at Max output voltage,and 230VAC with full load,if with 110VAC the efficiency will be lowered 0.5%~1.5%;Working 1~2 hours,efficiency will be higher 1.5%~1%than the initial stage.

Waterproof Constant current 0-10V dimmable LED driver

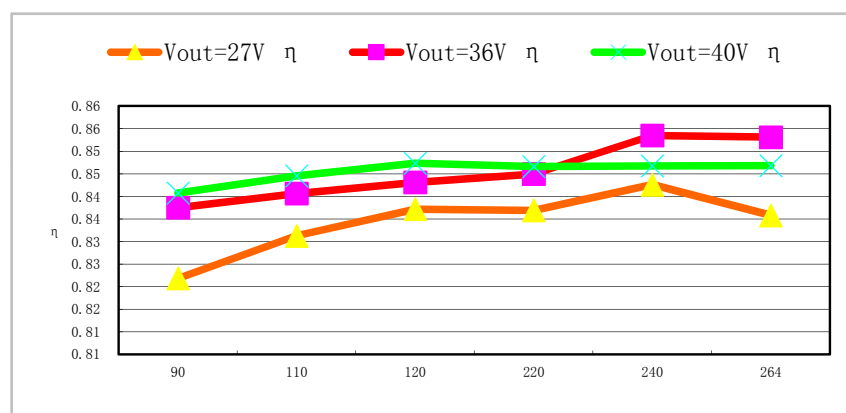
1.Mechanical Specification



2.Power Factor Characteristics



3.Efficiency & Load of (110VAC / 230VAC)



4.0/1-10V dimming Diagram

