

Waterproof Constant current 0-10V dimmable LED driver



Features特征:

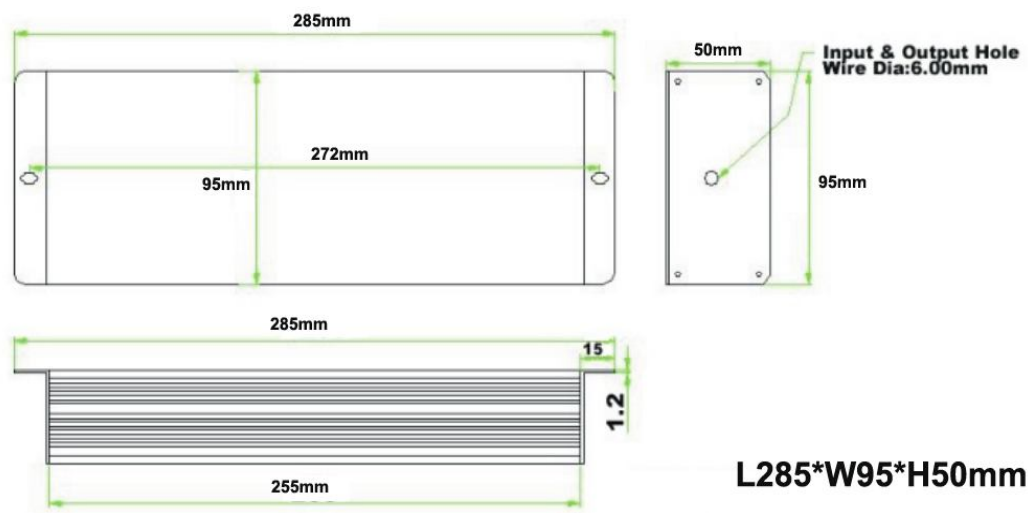
- The output current is constant.输出模式: 恒流
- Input voltage:100-277VAC.输入电压: 100-277VAC
- 0/1-10V/PWM/potentiometer(3 in 1 dimming); 0/1-10V/PWM/电位器三合一调光。
- Efficiency>92% PF>0.95.效率>92%功率因素PF>0.95
- Protection:SCP/OVP.短路保护 过压保护
- Aluminum case waterproof IP67.防水铝外壳IP67等级
- Easy to install,Nature cooling.自然冷却.容易安装
- Can be customized. 可定制
- CE/ROHS/SAA/TUV passed.CE/ROHS/SAA/TUV认证
- 5 Years warranty.5年质保

规格书Specification Sheet

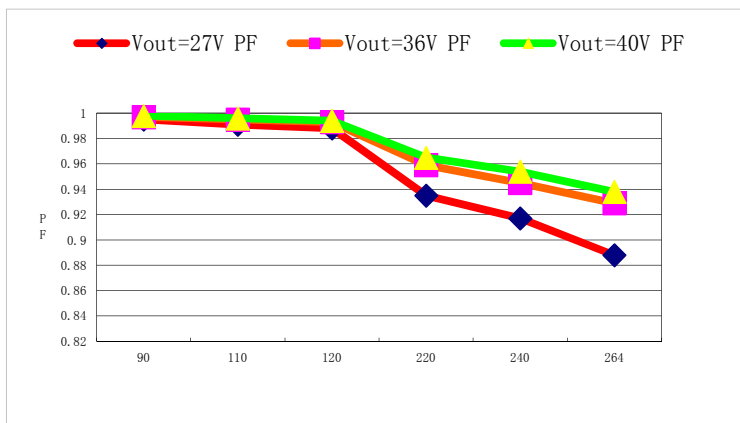
名称Model	恒流源CC	MSD-0/10V-DIM-CC-400W		
输出 Output	输出电流Output Current	4000mA	6000mA	8300mA
	电流精度 Current Precision	±5%		
	输出电压 Output Voltage	80-95V	50-66V	30-48V
	输出功率 Output Power	400W Max		
	线性调整率Line Regulation	1%		
输入 Input	输入电压 Input Voltage Range	100-277V/AC(standard) 85VAC(min)305V/AC(max)		
	输入电流 AC Current(Typ)	4.35A@100VAC 3.954A@110VAC 1.891A@230VAC 1646A@264VAC		
	频率 Frequency Range	50/60Hz		
	功率因数 PFC(Typ)	>0.95@full load		
	效率 Full-loading Efficiency	>92%@full load		
异常保护 Protection	保护类型 Short Circuit	Short circuit protection / Over voltage protection		
	最大输入电压Over Voltage	<305VAC		
使用环境 Environment	工作温度Operation Temperature	-40~+50℃		
	工作湿度Operation Humidity	20~90%		
	存储 Storage	-40~ +85℃, 10~95%RH		
	温度系数Temperature Coefficient	±0.03%/℃(-45~50℃)		
	抗震能力Vibration Resistance	10~500HZ,2G 10Min/period,X、Y、Z line per 60 mins		
安规与电磁兼容 Safety&EMC	标准 Standard	Refer to EN 61347-1;EN 61347-2-13; EN 62493		
	耐压 Withstand Voltage	I/P-O/P:3.75KVAC		
	绝缘强度Insulating Strength	I/P-O/P:400M Ω/500 VDC/25℃/70%RH		
	传导 EMC Emission	To Correspond EN55015,EN61000-3-2(≥ 50% load)		
	辐射 EMC Immunity	To Correspond EN55015,EX61000-4-2,3,4,5,6,8,11,A Level of light industry standard(Surge 4KV)		
其他Other	重量Weight	2200g		
	尺寸Dimension	285*95*50mm (L*W*H)		
	PCB材质	94V-0 PC fire retardant		
	颜色Color	Dark Grey		
	包装Packing	35*28*27cm/6pcs		
NOTE	All parameters are measured at normal temperture(25-28℃) 1、Ripple & Noise are measured at 20KHz of bandwidth by using a 12" twisted pair-wire teminated with a 0.1 uf & 47uf parallel capacitor(@ full load). 2、The efficiency measured at Max output voltage,and 230VAC with full load,if with 110VAC the efficiency will be lowered 0.5%~1.5%;Working 1~2 hours,efficiency will be higher 1.5%~1%than the initial stage.			

Waterproof Constant current 0-10V dimmable LED driver

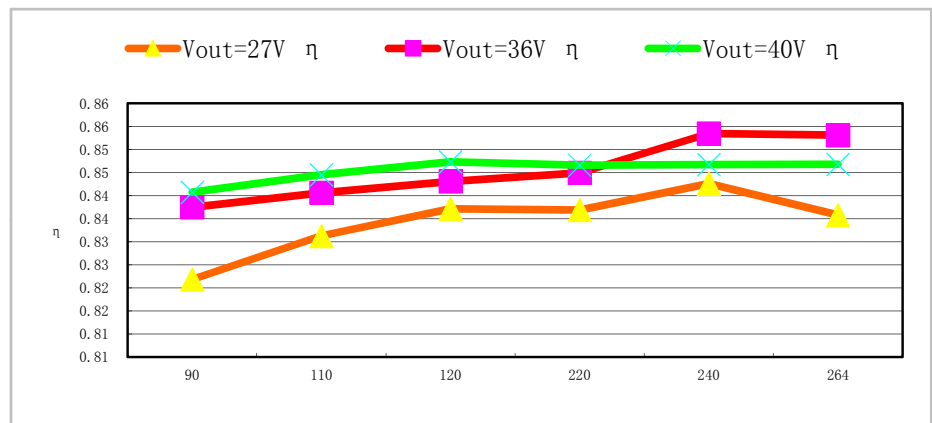
1.Mechanical Specification



2.Power Factor Characteristics



3.Efficiency & Load of (110VAC / 230VAC)



4.0/1-10V dimming Diagram

