

Constant current 0-10V dimmable LED driver



Features特征:

- The output current is constant;输出模式: 恒流;
- 0/1-10V/PWM/potentionmeter comptabile;0/1-10V/PWM/电阻兼容;
- Using active built-in PFC techology;采用PFC技术;
- Efficiency>85% PF>0.95;效率>85%功率因素PF>0.95;
- Protection:SCP/OVP;短路保护 过压保护;
- Fireproof plastic case;塑料防火外壳;
- Easy to install;容易安装;
- Noise free;无噪音;
- CE/ROHS/SAA/TUV passed;CE/ROHS/SAA/TUV认证;
- Hipot \geq 3750V, Surge:L-N \geq 1000V 过高压3750V测试, 浪涌 \geq 1000V
- 5 Years warranty.5年质保。

规格书Specification Sheet

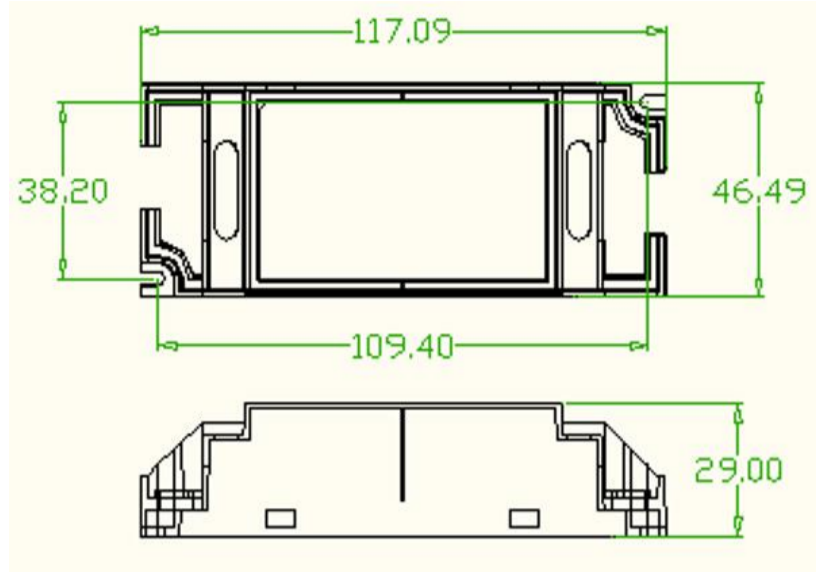
名称Model	CC输出	MSD-0/10V-DIM-CC-30W	
输出 Output	输出电流 Output current	500mA	700mA
	恒流精度 Current precision	$\pm 5\%$	
	输出电压 Output voltage	43-58V	27-42V
	输出功率 Output Power	30W Max	
输入 Input	输入电压 Input Voltage Range	100-277V/AC(standard) 85VAC(min)305V/AC(max)	
	输入电流 AC Current(Typ)	0.34A@100VAC 0.31A@110VAC 0.16A@220VAC 0.149A@264VAC	
	频率 Frequency Range	50/60Hz	
	功率因数	PF>0.95@220V	
	效率 Full-loading Efficiency	>85%	
异常保护 Protection	保护类型 Short Circuit	Short circuit protection / Over voltage protection	
	最大输入电压Over Voltage	<305VAC	
使用环境 Environment	工作温度Operation Temperature	-25—+45℃	
	工作湿度Operation Humidity	20-90%	
	存储 Storage	-40—+85℃, 10-95%RH	
	温度系数Temperature Coefficient	$\pm 0.03\%/^{\circ}\text{C}$ (0~50℃)	
	抗震能力Vibration Resistance	10~500HZ,2G 10Min/period,X、Y、Z line per 60 mins	
安规与电磁兼容 Safety&EMC	标准 Standard	Refer to EN 61347-1;EN 61347-2-13; EN 62493	
	耐压 Withstand Voltage	I/P-O/P:3.75KVAC	
	绝缘强度Insulating Strength	I/P-O/P:400M Ω /500 VDC/25℃/70%RH	
	传导 EMC Emission	To Correspond EN55015,EN61000-3-2($\geq 50\%$ load)	
	辐射 EMC Immunity	To Correspomd EN55015,EX61000-4-2,3,4,5,6,8,11,A Level of light industry standard(Surge 4KV)	
其他Other	重量Weight	110g	
	尺寸Dimension	117*46*29mm (L*W*H)	
	材质Material	94V-0 PC fire retardant	
	颜色Color	white	
	包装Packing	31*17*18cm/30pcs	

NOTE

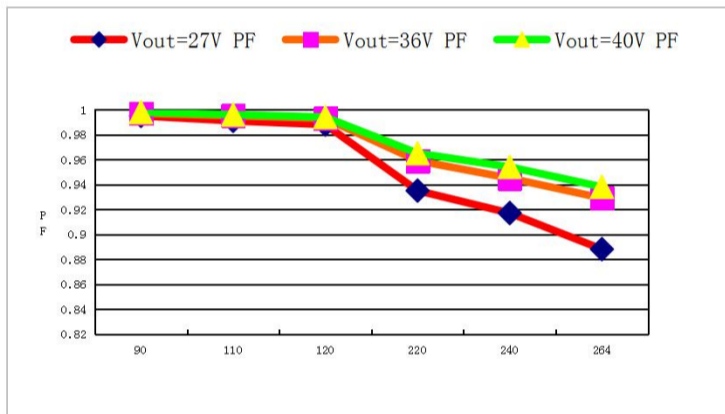
All parameters are measured at normal temperture(25-28℃)
 1、Ripple & Noise are measured at 20KHz of bandwidth by using a 12" twisted pair-wire teminated with a 0.1 uf & 47uf parallel capacitor(@ full load).
 2、The efficiency measured at Max output voltage,and 230VAC with full load,if with 110VAC the efficiency will be lowered 0.5%~1.5%;Working 1~2 hours,efficiency will be higher 1.5%~1%than the initial stage.

Constant current 0-10V dimmable LED driver

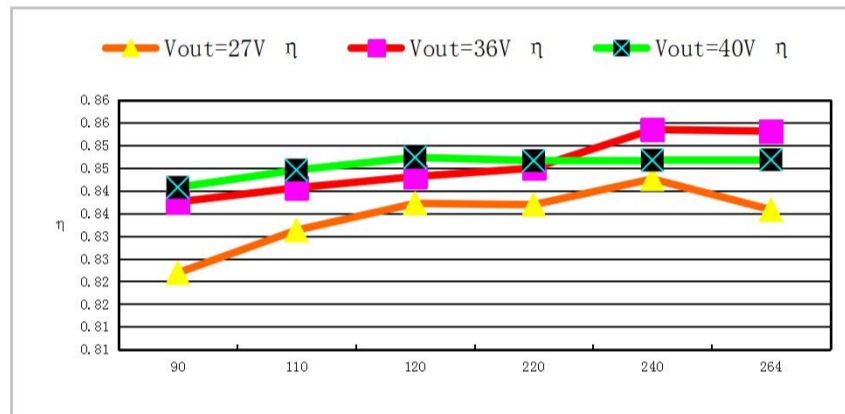
1.Mechanical Specification



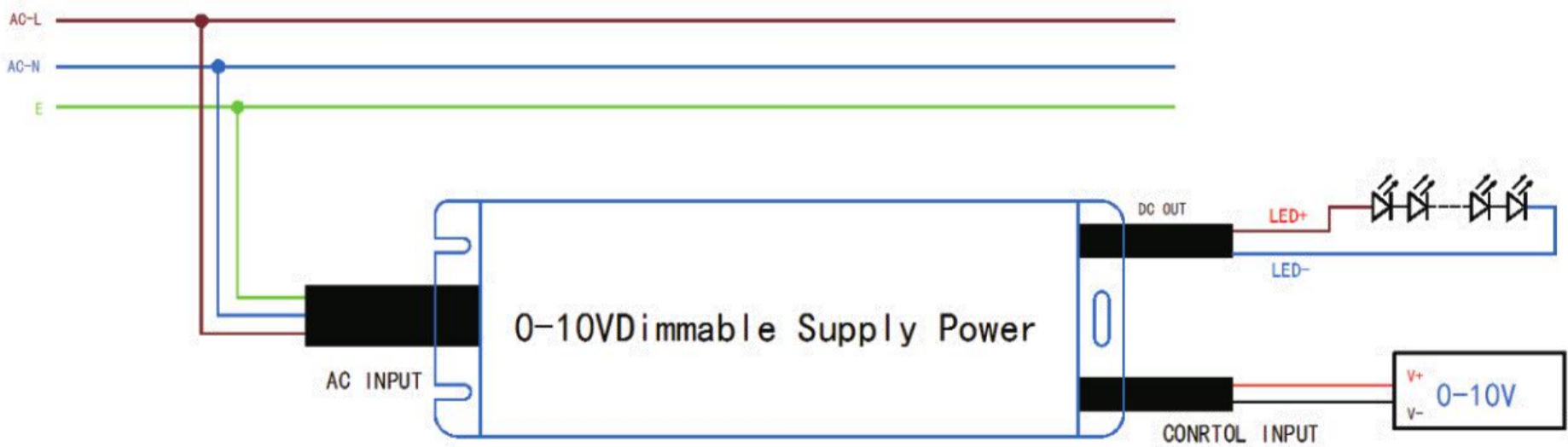
2.Power Factor Characteristics



3.Efficiency & Load of (110VAC / 230VAC)



4.0/1-10V dimming Diagram

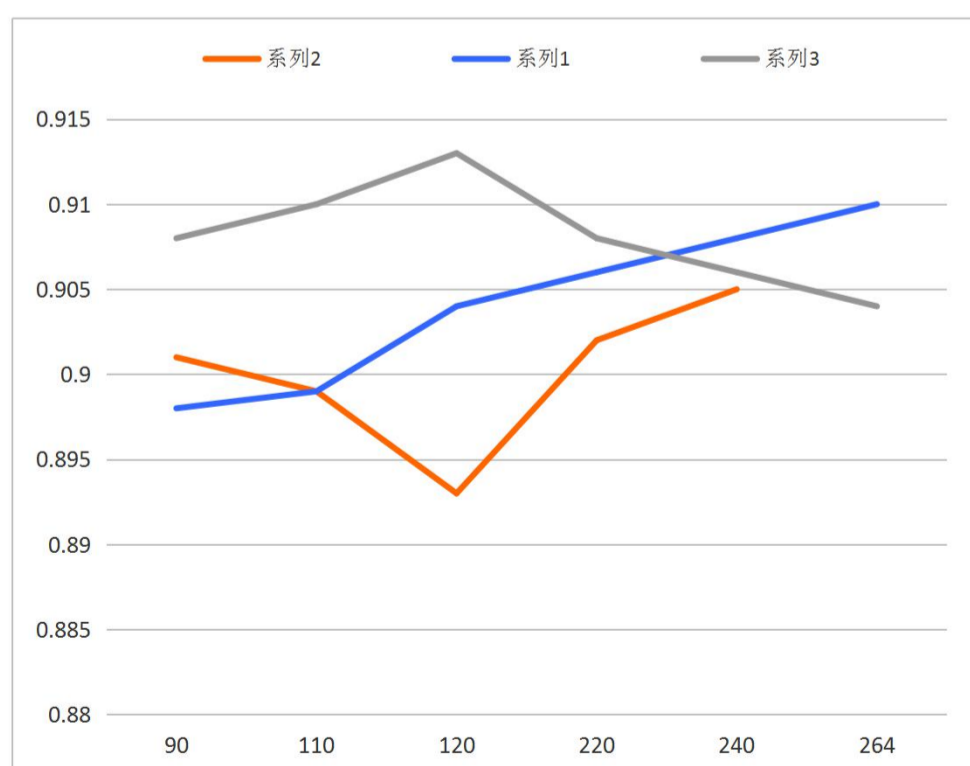
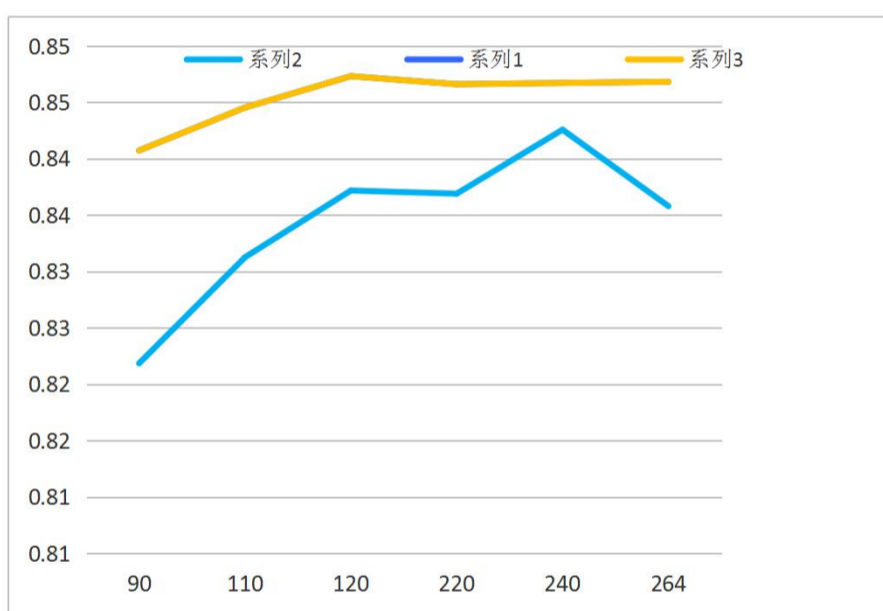
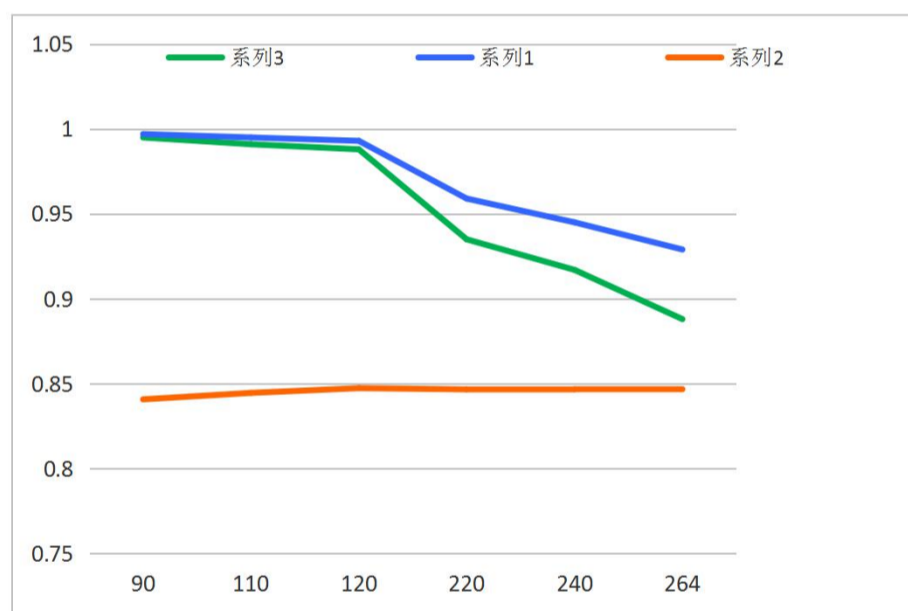


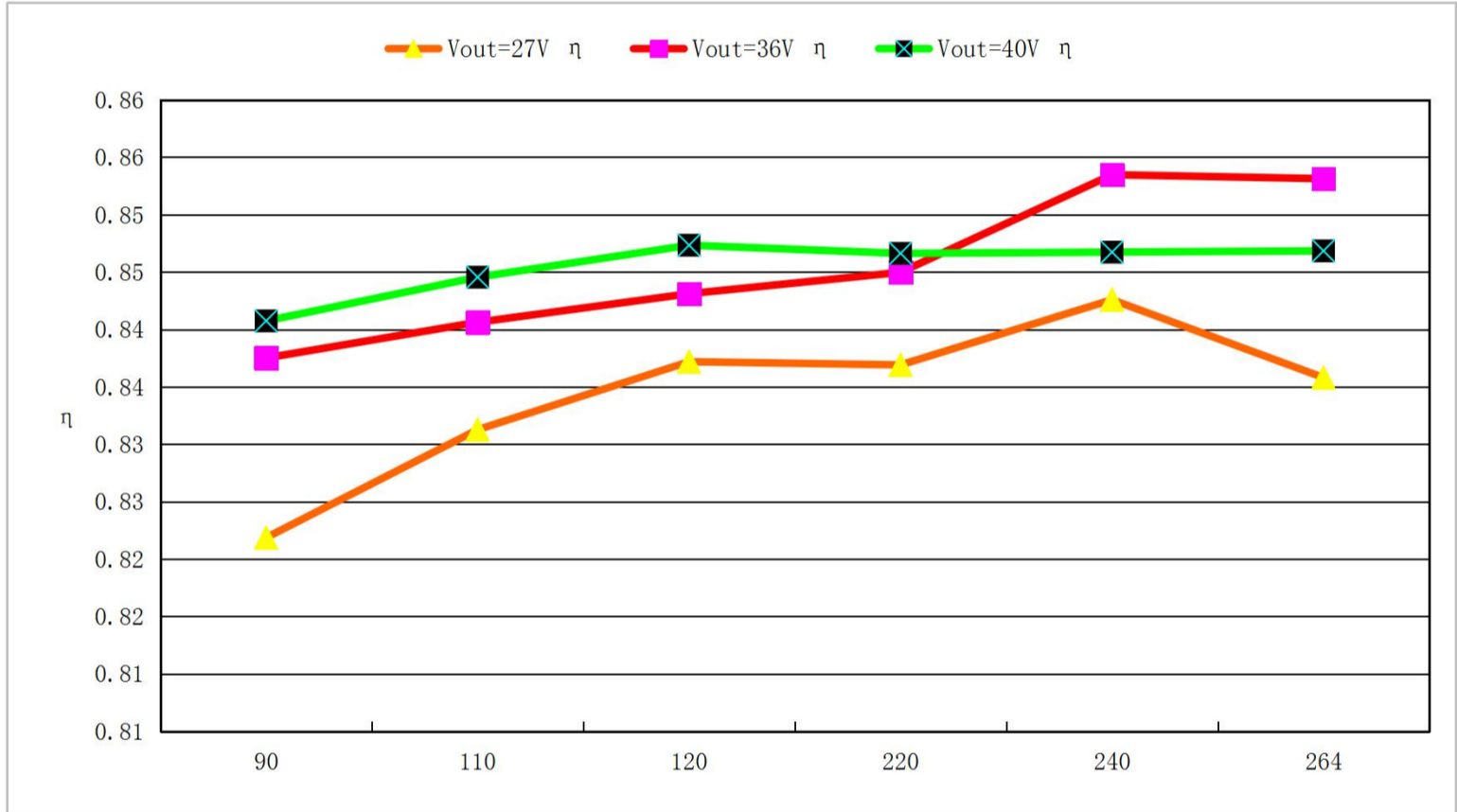
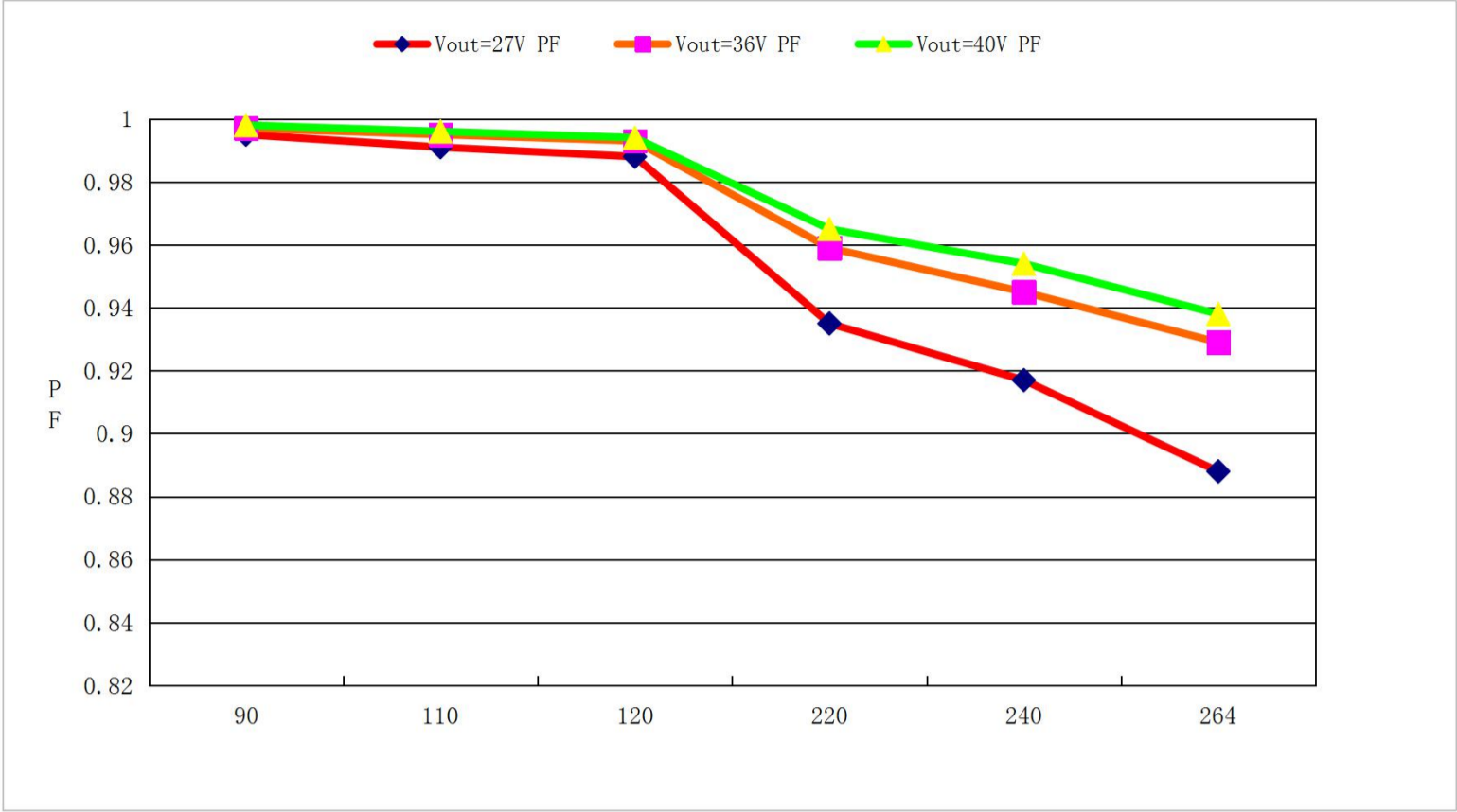
Web:www.sz-msd.com Tel:+86-755-29510721 Fax:+86-755-29518990

Email: victor@brightstarleds.com

EX-MSD-CC-40W

输出负载电压V	输入电压V	输入电流A	输入功率W	输出电流A	功率因数PF	电源效率 η	备注
27	90	0.335	29.6	0.901	0.995	0.82	Vout=27V PF
	110	0.274	29.2	0.899	0.991	0.83	Vout=27V η
	120	0.251	28.8	0.893	0.988	0.84	
	220	0.144	29.1	0.902	0.935	0.84	
	240	0.135	29	0.905	0.917	0.84	
	264	0.127	29.3	0.907	0.888	0.84	
36	90	0.441	38.6	0.898	0.997	0.84	Vout=36V PF
	110	0.357	38.5	0.899	0.995	0.84	Vout=36V η
	120	0.328	38.6	0.904	0.993	0.84	
	220	0.187	38.6	0.906	0.959	0.84	
	240	0.173	38.3	0.908	0.945	0.85	
	264	0.161	38.4	0.91	0.929	0.85	Vout=40V PF
40	90	0.483	43.2	0.908	0.998	0.84	Vout=40V η
	110	0.391	43.1	0.91	0.996	0.84	
	120	0.361	43.1	0.913	0.994	0.85	
	220	0.202	42.9	0.908	0.965	0.85	
	240	0.186	42.8	0.906	0.954	0.85	
	264	0.173	42.7	0.904	0.938	0.85	







Bright Star Lighting Co.,Ltd

Constant current 0-10V dimmable LED driver



规格书 Specification Sheet

名称 Model	CC输出	
输出 Output	输出电流 Output current	500mA
	恒流精度 Current precision	
	输出电压 Output voltage	43-58V
	输出功率 Output Power	
输入 Input	输入电压 Input Voltage Range	100-277
	输入电流 AC Current(Typ)	0.34A@100VAC
	频率 Frequency Range	
	功率因数	
	效率 Full-loading Efficiency	

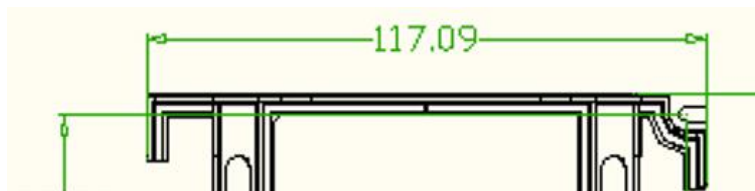
异常保护 Protection	保护类型 Short Circuit	Short
	最大输入电压 Over Voltage	
使用环境 Environment	工作温度 Operation Temperature	
	工作湿度 Operation Humidity	
	存储 Storage	
	温度系数 Temperature Coefficient	
	抗震能力 Vibration Resistance	10~500Hz
安规与电磁兼容 Safety&EMC	标准 Standard	Refer
	耐压 Withstand Voltage	
	绝缘强度 Insulating Strength	I/
	传导 EMC Emission	To Corr
	辐射 EMC Immunity	To Correspond EN:
其他 Other	重量 Weight	
	尺寸 Dimension	
	材质 Material	
	颜色 Color	
	包装 Packing	
NOTE	<p>All parameters are measured at normal temperature(25-28℃)</p> <p>1、Ripple & Noise are measured at 20KHz of bandwidth by by parallel capacitor(@ full load).</p> <p>2、The efficiency measured at Max output voltage,and 230V/0.5%~1.5%;Working 1~2 hours,efficiency will be higher 1.5%.</p>	

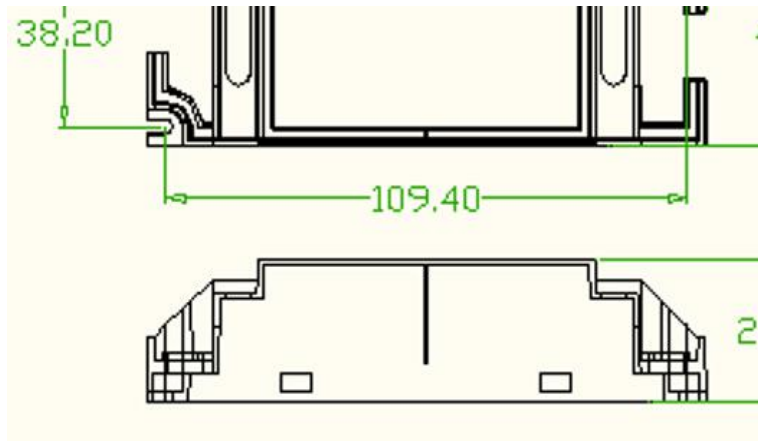


Bright Star Lighting Co.,Ltd

Constant current 0-10V dimmable LED driver

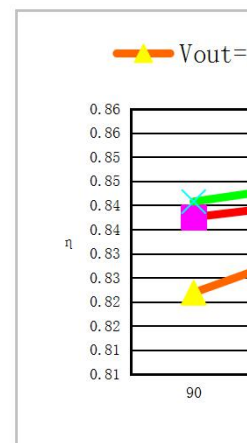
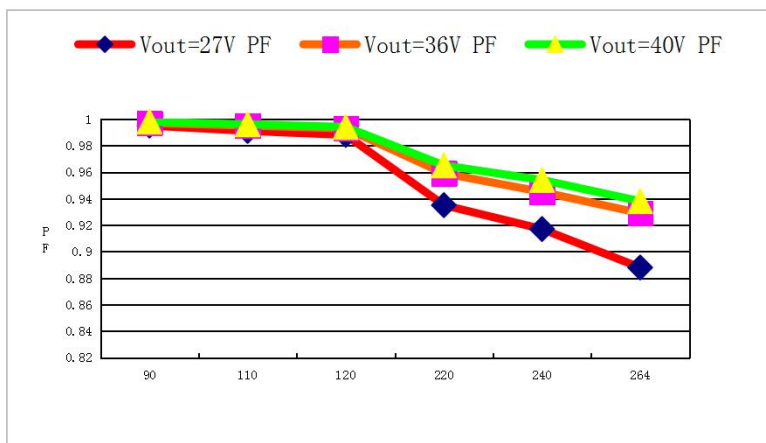
1.Mechanical Specification



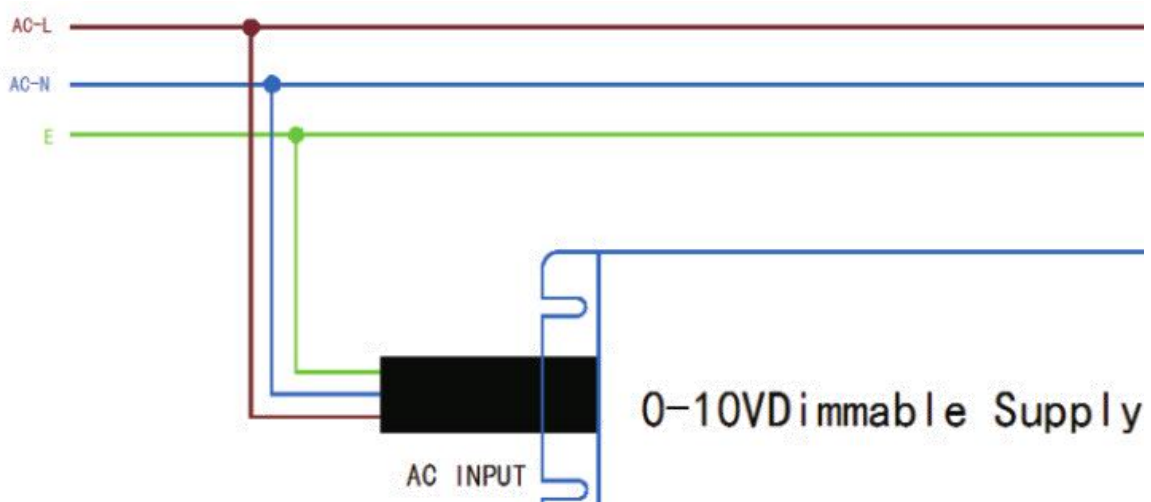


2. Power Factor Characteristics

3. Efficiency &



4.0/1-10V dimming Diagram





Web:www.sz-msd.com Tel:+86-755-29510721 Fax:+86-755-29518990

Email: victor@brightstarleds.com

MSD-0/10V-DIM-CC-30W series



产品说明:

- 输出模式: 宽电压恒流;
- 调光方式: ;0-10V; PWM (1%-100%);100K电位器.
- 高PFC值电路:功率因数大于95%;
- 高效率电路: 效率大于85%;
- 保护功能: 短路保护, 过压保护, 过温保护;
- 通电无异响 ;
- 外壳采用防火PC材料
- Easy to install;安装简单方便;
- 本产品通过 CE, SAA, TUV, ROHS。认证;
- 5 Years warranty.5年质保。

MSD-0/10V-DIM-CC-30W

700mA

±5%

27-42V

30W Max

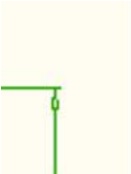
7V/AC(standard) 85VAC(min)305V/AC(max)

0.31A@110VAC 0.16A@220VAC 0.149A@264VAC

50/60Hz

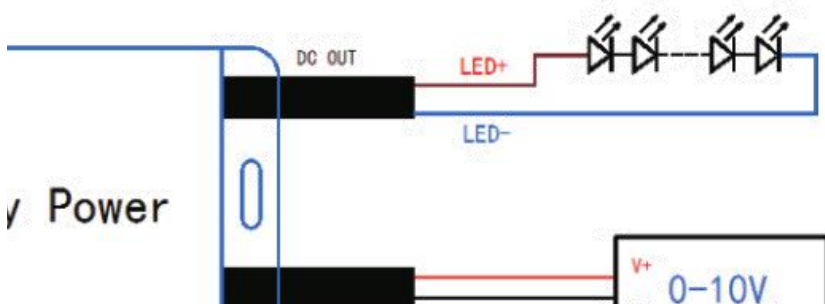
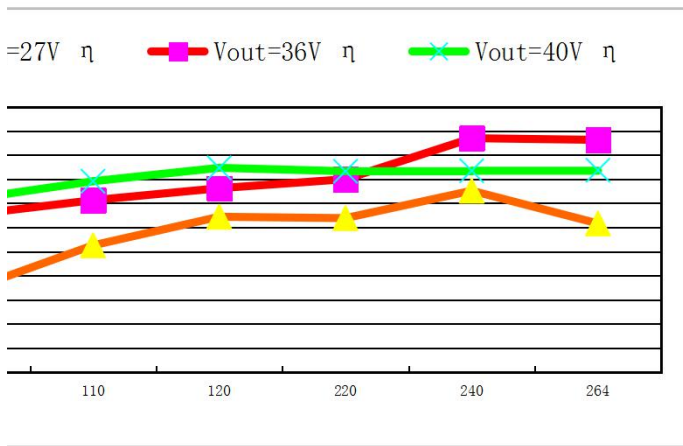
PF>0.95@220V

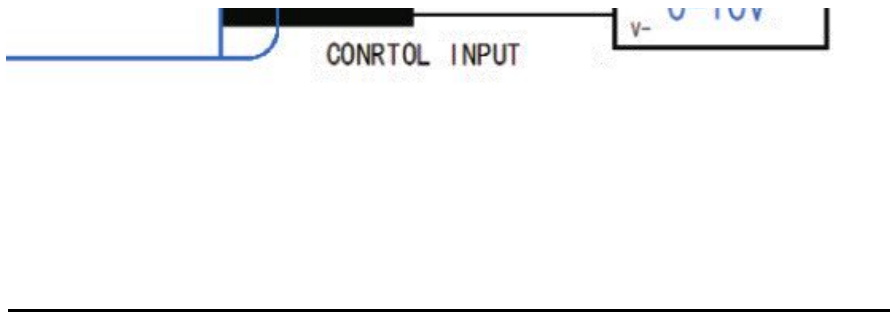
>85%

circuit protection / Over voltage protection
<305VAC
-25—+45°C
20-90%
-40—+85°C, 10-95%RH
±0.03%/°C(0~50°C)
IZ,2G 10Min/period,X、 Y、 Z line per 60 mins
to EN 61347-1;EN 61347-2-13; EN 62493
I/P-O/P:3.75KVAC
P-O/P:400M Ω/500 VDC/25°C/70%RH
espond EN55015,EN61000-3-2(≧ 50% load)
55015,EX61000-4-2,3,4,5,6,8,11,A Level of light industry standard(Surge 4KV)
110g
117*46*29mm (L*W*H)
94V-0 PC fire retardant
white
31*17*18cm/30pcs
using a 12" twisted pair-wire terminated with a 0.1 uf & 47uf
AC with full load,if with 110VAC the efficiency will be lowered ~1%than the initial stage.
MSD-0/10V-DIM-CC-30W series




Load of (110VAC / 230VAC)



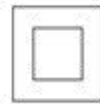




Bright Star Lighting Co.,Ltd

Constant current 0-10V dimmable LED driver

0-10V



规格书Specification Sheet

名称Model	CC输出	
输出 Output	输出电流 Output current	350mA/4
	恒流精度 Current precision	
	输出电压 Output voltage	
	输出功率 Output Power	
输入 Input	输入电压 Input Voltage Range	
	输入电流 AC Current(Typ)	
	效率 Full-loading Efficiency	
异常保护 Protection	保护类型 Short Circuit	
	最大输入电压 Over Voltage	
使用环境 Environment	工作温度 Operation Temperature	
	工作湿度 Operation Humidity	
	存储 Storage	
	温度系数 Temperature Coefficient	
	抗震能力 Vibration Resistance	10

电磁兼容EMC	标准 Standard	
其他Other	重量Weight	
	尺寸Dimension	
	材质Material	
	颜色Color	



Bright Star Lighting Co.,Ltd

MSD

Constant current 0-10V dimmable LED driver

PCBA说明



电流设置

DIP Switch (1: ON 2: ON 3: ON)	700mA
DIP Switch (1: ON 2: ON 3: OFF)	650mA
DIP Switch (1: ON 2: OFF 3: ON)	600mA
DIP Switch (1: ON 2: OFF 3: OFF)	550mA
DIP Switch (1: OFF 2: ON 3: ON)	500mA
DIP Switch (1: OFF 2: ON 3: OFF)	450mA

DIP Switch (1: OFF 2: OFF 3: ON)	400mA
DIP Switch (1: OFF 2: OFF 3: OFF)	350mA

MSD-0/10V-DIM-CC-30W series

产品说明:

- 输出模式：宽电压恒流；
- 调光方式：;0-10V；PWM（1%-100%）;100K电位器.
- 高效率电路：效率大于90%；
- 保护功能：短路保护，过压保护，过温保护；
- 通电无异响；
- Easy to install;安装简单方便；
- 本产品通过 CE， ROHS。认证；
- 5 Years warranty.5年质保。

MSD-DC-0/10V-DIM-CC-30W

00mA/450mA/500mA/550mA/600mA/650mA/700mA

±5%

10V-45V

31.5W Max

DC48V

1A

>85%

Short circuit protection / Over voltage protection

<50V/DC

-25—+45℃

20%-80%

-20%—+85℃， 10-95%RH

±0.03%/℃(0~50℃)

~500HZ,2G 10Min/period,X、Y、Z line per 60 mins

CE. ROHS

45g

125*14.3*7.8mm (L*W*H)

94V-0 PC fire retardant

Green

0-DC-0/10V/DIM-CC-31.5W series

