

DALI Constant Voltage Waterproof LED Driver



Features特征:

- The output voltage is constant.输出模式: 恒压
- Input voltage:100-277VAC.输入电压: 100-277VAC
- Using active built-in PFC techology.采用PFC技术
- Efficiency>90% PF>0.95.效率>90%功率因素PF>0.95
- Protection:SCP/OVP/OCP;短路/过压/过流 保护;
- Aluminum case waterproof design.防水铝外壳设计
- Fit for KNX/Tridonic/Siemens/Philips/Feelux system;兼容KNX/ABB/Tridonic/Siemens/Philips/Feelux系统;
- DALI IEC62386 design,compatible with DALI V1&V2;IEC62386国际通用标准设计, 兼容DALI V1和V2通信标准;
- CE/ROHS/SAA/TUV passed.CE/ROHS/SAA/TUV认证
- 5 Years warranty,lifespan>50,000hrs.5年保, 寿命>5W小时

规格书Specification Sheet

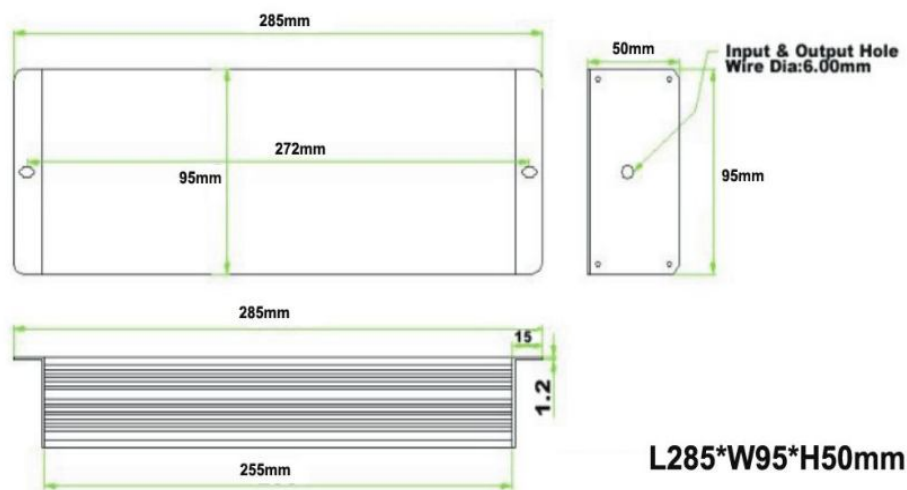
名称Model	恒压源CV	MSD-DALI-CV-400W		
输出 Output	输出电压 Output Voltage	24V	36V	48V
	恒压精度 Voltage Precision	±0.5V		
	输出电流 Output Current	16.6A	11.1A	8.3A
	输出功率 Output Power	400W(Max)		
	线性调整率Line Regulation	1%		
输入 Input	输入电压 Input Voltage Range	100-277V/AC(standard) 90VAC(min)305V/AC(max)		
	输入电流 AC Current(Typ)	4.41A@100VAC 4.03A@110VAC 1.93A@230VAC 1.65A@264VAC		
	频率 Frequency Range	50/60Hz		
	功率因数 PFC(Typ)	>0.95@full load		
	效率 Full-loading Efficiency	90%@full load	90%@full load	92%@full load
异常保护 Protection	保护类型 Short Circuit	Short circuit protection / Over voltage protection		
	最大输入电压Over Voltage	<305VAC		
使用环境 Environment	工作温度Operation Temperature	-40~+60℃		
	工作湿度Operation Humidity	20~90%		
	存储 Storage	-40~ +85℃, 10~95%RH		
	温度系数Temperature Coefficient	±0.03%/℃(-45~50℃)		
	抗震能力Vibration Resistance	10~500HZ,2G 10Min/period,X、Y、Z line per 60 mins		
安规与电磁兼容 Safety&EMC	标准 Standard	Refer to EN 61347-1;EN 61347-2-13; EN 62493		
	耐压 Withstand Voltage	I/P-O/P:3.75KVAC		
	绝缘强度Insulating Strength	I/P-O/P:400M Ω/500 VDC/25℃/70%RH		
	传导 EMC Emission	To Correspond EN55015,EN61000-3-2(≥50% load)		
	辐射 EMC Immunity	To Correspomd EN55015,EX61000-4-2,3,4,5,6,8,11,A Level of light industry standard(Surge 4KV)		
其他Other	重量Weight	2300g		
	尺寸Dimension	285*95*50mm (L*W*H)		
	PCB材质	94V-0 PC fire retardant		
	颜色Color	Dark Grey		
	包装Packing	44*28*18cm/9pcs		

NOTE

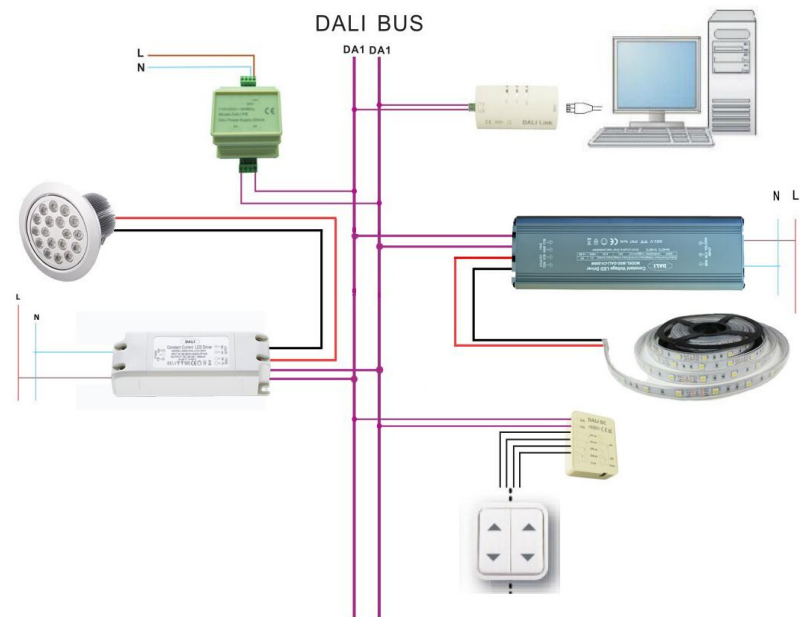
All parameters are measured at normal temperture(25-28℃)
 1、Ripple & Noise are measured at 20KHz of bandwidth by using a 12" twisted pair-wire terminated with a 0.1 uf & 47uf parallel capacitor(@ full load).
 2、The efficiency measured at Max output voltage,and 230VAC with full load,if with 110VAC the efficiency will be lowered 0.5%~1.5%;Working 1~2 hours,efficiency will be higher 1.5%~1%than the initial stage.

DALI Constant Voltage Waterproof LED Driver

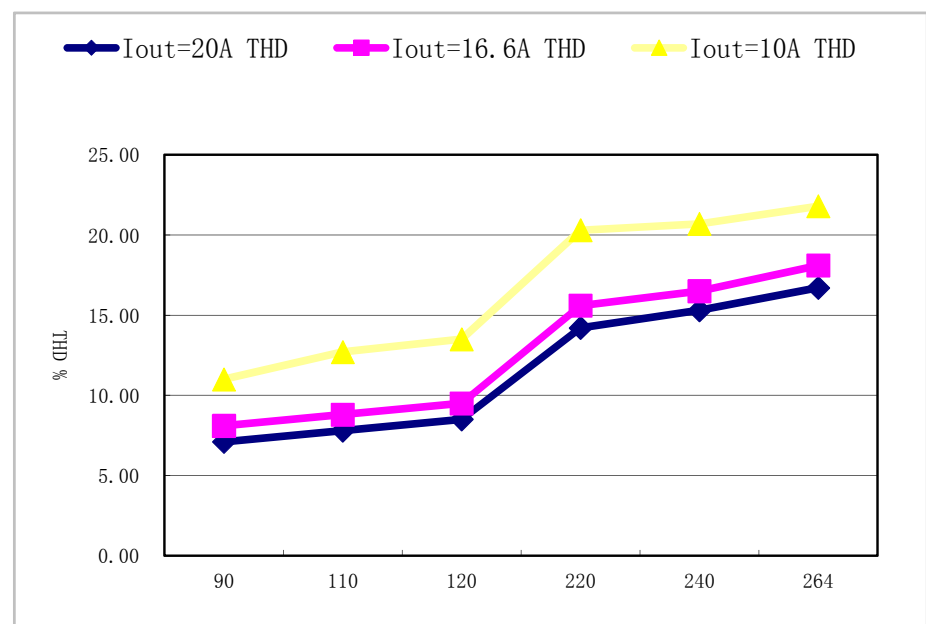
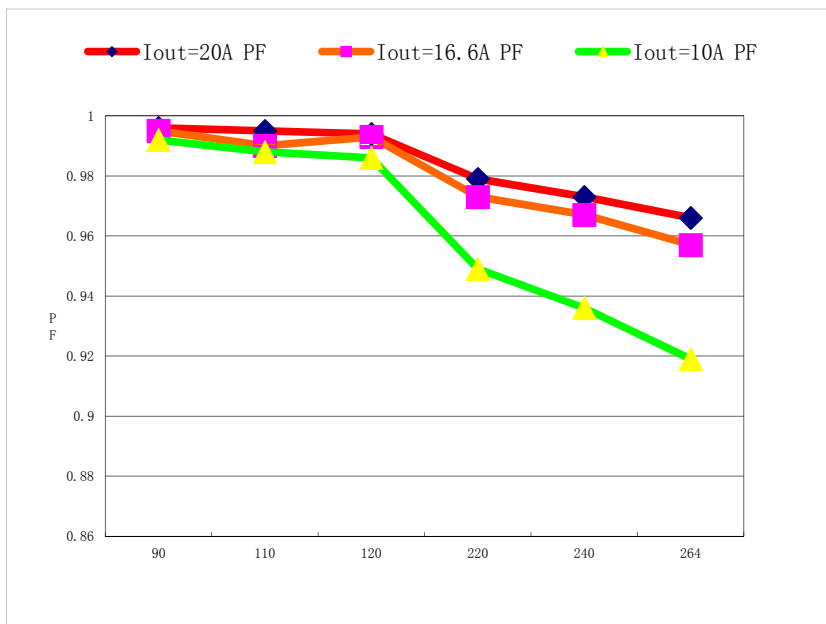
1.Mechanical Specification



2.DALI dimming system



3.Power Factor & THD Characteristics



4.Efficiency & Load of (110VAC / 230VAC)

